

# F01

## CENTRONIC SOLDER TYPE



POSITION	A	B	C	D
14F	25.20	36.00	43.90	22.70
24F	36.00	46.80	54.70	33.50
36F	48.90	59.70	67.70	46.60
50F	64.10	74.90	82.80	61.70

PANEL TYPE ( FEMALE W/LATCH )

POSITION	A	B	C	D
14M	25.50	29.40	38.50	21.90
24M	36.30	40.20	49.30	32.70
36M	49.30	53.50	62.00	45.80
50M	64.40	68.30	77.40	61.10

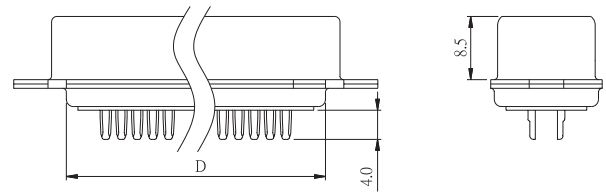
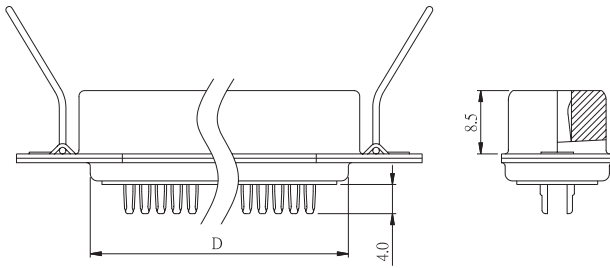
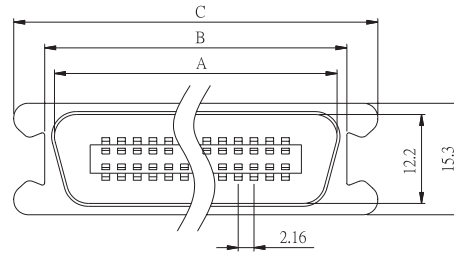
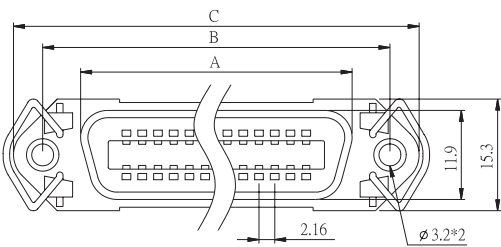
MOLDED TYPE ( MALE )

POSITION	A	B	C	D
14F	25.20	36.00	43.90	22.70
24F	36.00	46.80	54.70	33.50
36F	48.90	59.70	67.70	46.60
50F	64.10	74.90	82.80	61.70

PANEL TYPE ( FEMALE W/O LATCH )

POSITION	A	B	C	D
14M	25.50	36.00	43.90	22.70
24M	36.30	46.80	54.70	33.50
36M	49.30	59.70	67.70	46.60
50M	64.40	74.90	82.80	61.70

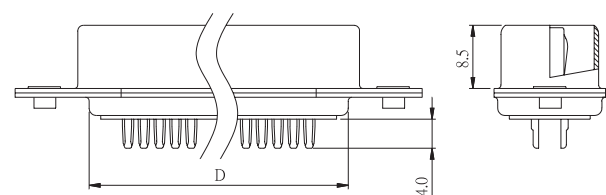
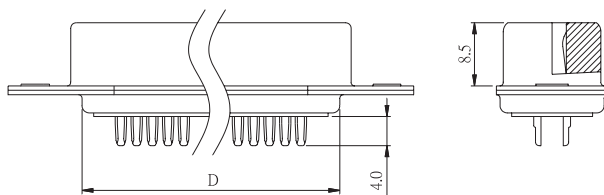
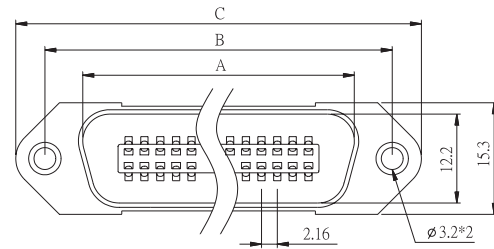
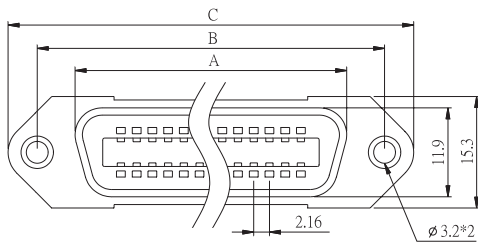
PANEL TYPE ( MALE )



PANEL TYPE ( FEMALE W/LATCH )

MOLDED TYPE ( MALE )

F



PANEL TYPE ( FEMALE W/O LATCH )

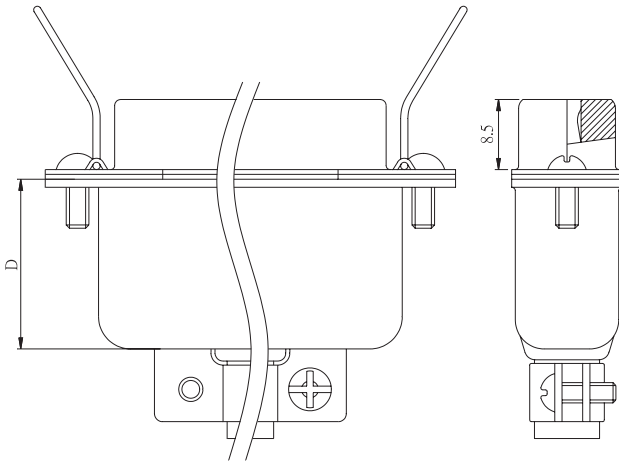
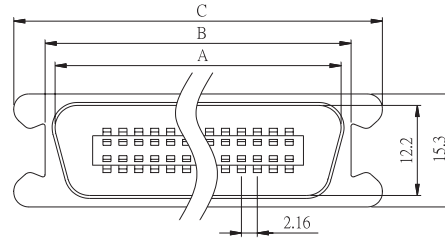
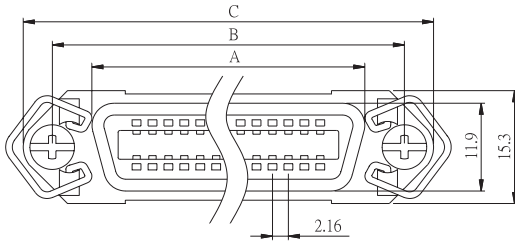
PANEL TYPE ( MALE )

# F01

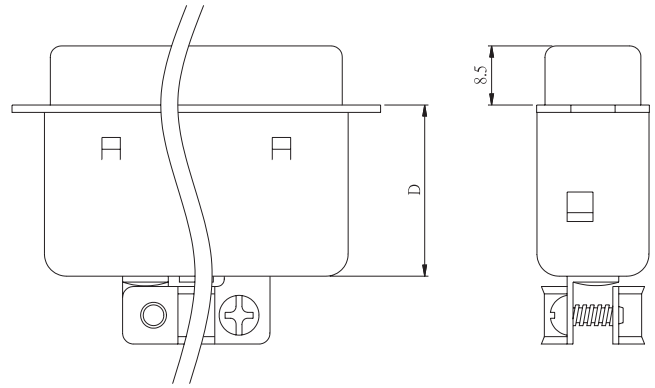
## CENTRONIC SOLDER TYPE

POSITION	A	B	C	D
14F	25.20	36.00	43.90	21.70
24F	36.00	46.80	54.70	21.20
36F	48.90	59.70	67.70	23.00
50F	64.10	74.90	82.80	25.00

POSITION	A	B	C	D
14M	25.50	29.40	38.50	21.20
24M	36.30	40.20	49.30	21.20
36M	49.30	53.50	62.00	22.60
50M	64.40	68.30	77.40	24.80



FEMALE + METAL COVER



MALE + METAL COVER

### HOW TO ORDER:

F01 -  -  -  -  -  -  -

F

1.NO. OF CONTACT	2.CONTACT TYPE	3.CONTACT PLATING	4.SHELL PLATING
14 24 36 50	M: MALE (PANEL TYPE) A: MALE (MOLDED TYPE WITH NOTCH EAR) B: MALE (WITH REAR METAL COVER) F: FEMALE C: FEMALE (WITH REAR METAL COVER)	T: TIN PLATED S: SELECTIVE G: GOLD FLASH A: 5u" INCH GOLD B: 10u" INCH GOLD C: 15u" INCH GOLD D: 30u" INCH GOLD	N: NICKEL
5.MOUNTING METHOD	6.ACCESSORIES	7.INSULATOR COLOR	
A: THROUGH HOLE B: THREAD INSERT #4-40 UNC C: NO OPTION	A: WITH LATCH B: NON ACCESSORIES	1. BLACK 3. BLUE	