

C66

SHRUNK BOX HEADER STRAIGHT (1.27mm * 2.54mm)

PITCH: 1.27mm

SPECIFICATIONS

Material

Insulator : Nylon 6T, glass reinforced, rated UL 94V-0

Contact : Phosphor Bronze

Electrical

Current Rating : 1 Amp

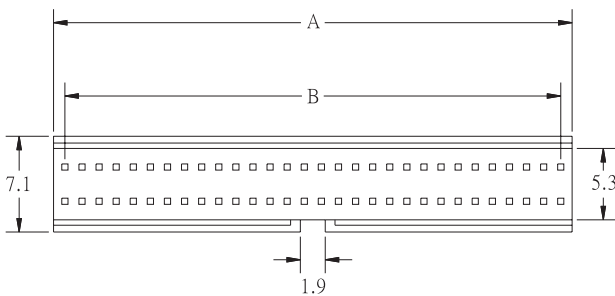
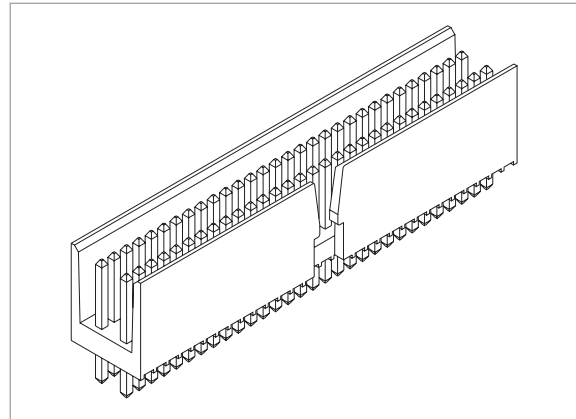
Contact Resistance : 30 mΩ max.

Insulation Resistance : 1000 MΩ min.

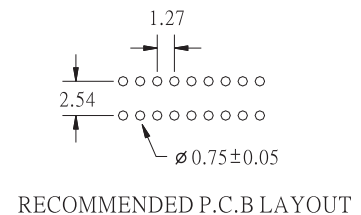
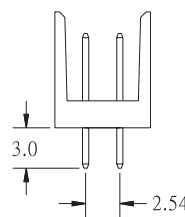
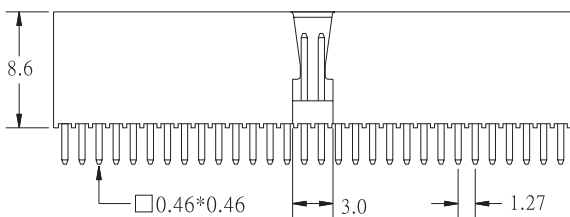
Dielectric Withstanding Voltage :250V AC for 1minute

Operating Temperature : -40°C to +105°C

◆ Mating Suggestion : A06b series.



POSITION	A	B
10	6.77	5.08
20	13.12	11.43
26	16.93	15.24
30	19.47	17.78
34	22.01	20.32
40	25.82	24.13
50	32.17	30.48
60	38.52	36.823
68	43.60	41.91
80	51.22	49.53
100	63.92	62.23



RECOMMENDED P.C.B LAYOUT

HOW TO ORDER:

C66 - 1 - 2 - 3 - 4

1.NO. OF CONTACT	2.CONTACT MATERIAL	3.CONTACT PLATING	4.INSULATOR COLOR
10 20 26 30 34 40 50 60 68 80 100	B: PHOSPHOR BRONZE	T: TIN PLATED S: SELECTIVE G: GOLD FLASH A: 5u" INCH GOLD B: 10u" INCH GOLD C: 15u" INCH GOLD D: 30u" INCH GOLD	1. BLACK

C