

C43a

HALF PITCH SHROUDED HEADER RIGHT ANGLE (1.27mm*1.27mm)

PITCH: 1.27mm

SPECIFICATIONS

Material

Insulator : LCP, glass reinforced, rated UL 94V-0

Contact : Phosphor Bronze

Electrical

Current Rating : 1 Amp

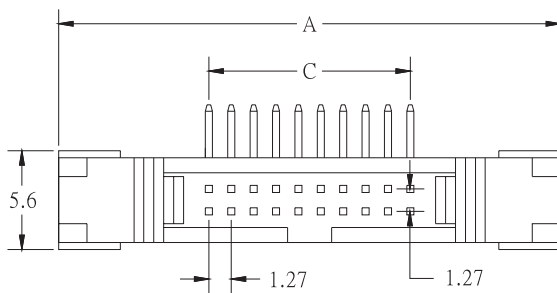
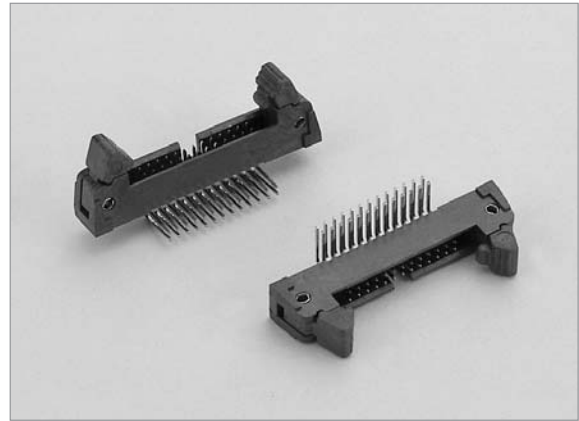
Contact Resistance : 30 mΩ max.

Insulation Resistance : 1000 MΩ min.

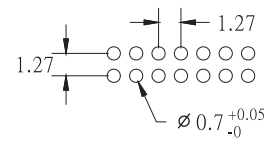
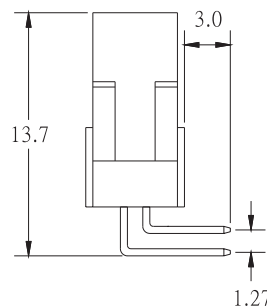
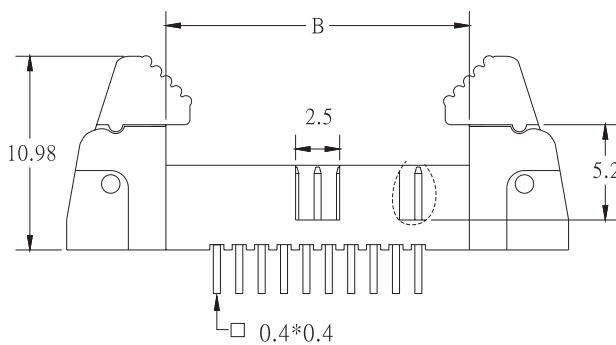
Dielectric Withstanding Voltage :250V AC for 1minute

Operating Temperature : -40°C to +105°C

◆ Mating Suggestion : A32 series.



POSITION	A	B	C
10	22.12	10.86	5.08
12	23.39	12.13	6.35
14	24.66	13.40	7.62
16	25.93	14.67	8.89
20	28.47	17.20	11.43
22	29.74	18.48	12.70
26	32.28	21.02	15.24
30	34.82	23.56	17.78
34	37.36	26.10	20.32
40	41.17	29.91	24.13
44	43.71	32.45	26.67
50	47.52	36.26	30.48



RECOMMENDED P.C.B LAYOUT

HOW TO ORDER:

C43a - - - -

1.NO. OF CONTACT	2.CONTACT MATERIAL	3.CONTACT PLATING	4.INSULATOR COLOR
10 12 14 16 20 22 26 30 34 40 44 50	B: PHOSPHOR BRONZE	T: TIN PLATED S: SELECTIVE G: GOLD FLASH A: 5u" INCH GOLD B: 10u" INCH GOLD C: 15u" INCH GOLD D: 30u" INCH GOLD	1. BLACK