

C03g BOX HEADER STRAIGHT

PITCH: 2.54mm

SPECIFICATIONS

Material

Insulator : PBT, glass reinforced, rated UL 94V-0

Contact : Phosphor Bronze or Brass

Electrical

Current Rating : 2 Amp

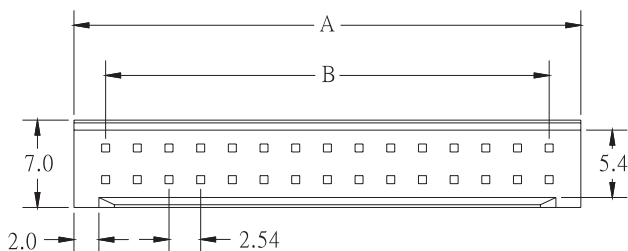
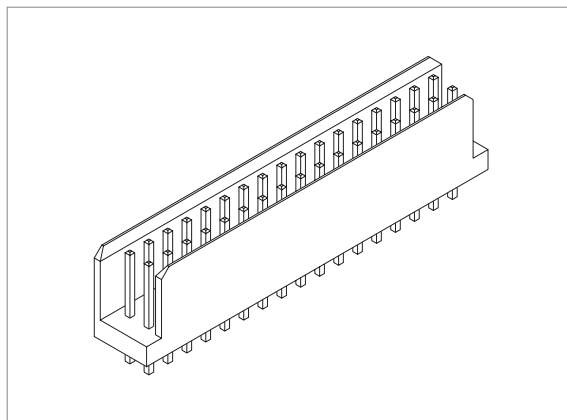
Contact Resistance : 30 mΩ max.

Insulation Resistance : 3000 MΩ min.

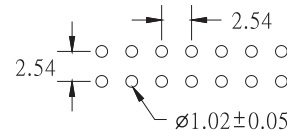
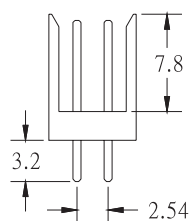
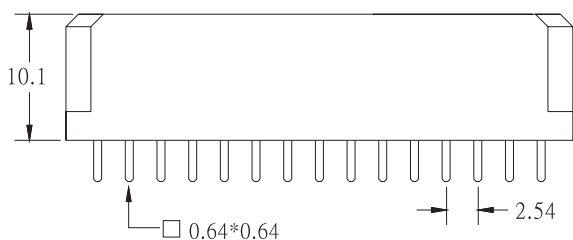
Dielectric Withstanding Voltage : 500V AC for 1minute

Operating Temperature : -40°C to +105°C

◆ Mating Suggestion : A01c series.



POSITION	A	B
6	10.16	5.08
8	12.70	7.62
10	15.24	10.16
12	17.78	12.70
14	20.32	15.24
16	22.86	17.78
20	27.94	22.86
24	33.02	27.94
26	35.56	30.48
30	40.64	35.56
34	45.72	40.64
40	53.34	48.26
44	58.42	53.34
50	66.04	60.96
60	78.74	73.66
64	83.82	78.74



RECOMMENDED P.C.B. LAYOUT

HOW TO ORDER:

C03g - - - -

1.NO. OF CONTACT	2.CONTACT MATERIAL	3.CONTACT PLATING	4.INSULATOR COLOR
06 08 10 12 14 16 20 24 26 30 34 40 50 60 64	A: BRASS B: PHOSPHOR BRONZE	T: TIN PLATED S: SELECTIVE G: GOLD FLASH A: 5u" INCH GOLD B: 10u" INCH GOLD C: 15u" INCH GOLD D: 30u" INCH GOLD	1. BLACK