

A23b

DIN 41612 IDC TYPE FEMALE TRIPLE ROW (A+C)

PITCH: 2.54mm

SPECIFICATIONS

Material

Insulator : PBT, glass reinforced, rated UL 94V-0

Contact : Phosphor Bronze

Electrical

Current Rating : 1 Amp

Contact Resistance : 30 mΩ max.

Insulation Resistance : 3000 MΩ min.

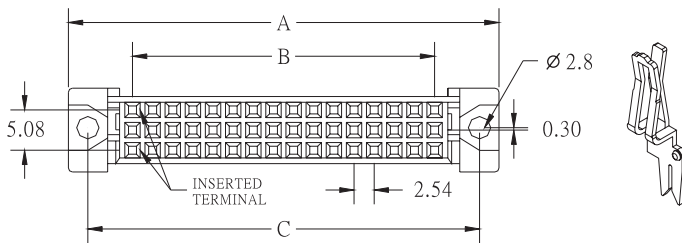
Dielectric Withstanding Voltage : 500V AC for 1minute

Operating Temperature : -40°C to +105°C

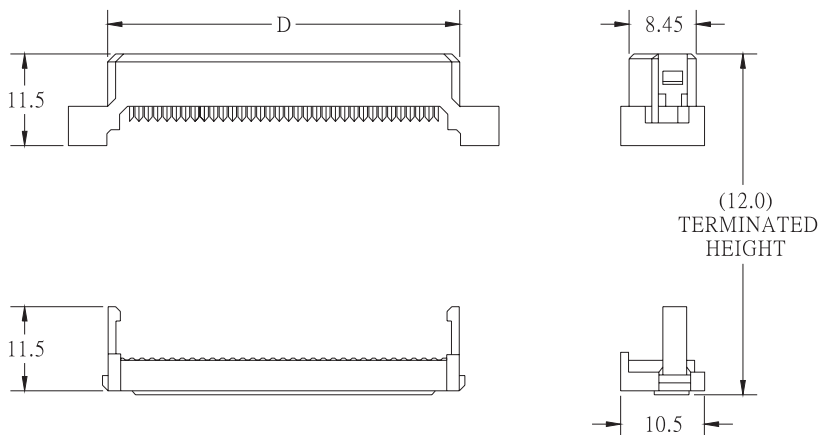
- ◆ Terminated with 1.27mm pitch flat ribbon cable.
- ◆ Mating Suggestion : A23d, D14, D14a & D14b series.



A



POSITION	A	B	C	D
32(A+C)	55	38.10	50	44.4
64(A+C)	95	78.74	90	85.0



HOW TO ORDER:

A23b - - - - -

1.NO. OF CONTACT	2.CONTACT TYPE	3.CONTACT MATERIAL	4.CONTACT PLATING	5.INSULATOR COLOR
32 64	F: FEMALE	B: PHOSPHOR BRONZE	T: TIN PLATED S: SELECTIVE G: GOLD FLASH A: 5u" INCH GOLD B: 10u" INCH GOLD C: 15u" INCH GOLD D: 30u" INCH GOLD	2. GREY