

A19b

CENTRONIC IDC TYPE 24 PIN FEMALE

PITCH: 2.54mm

SPECIFICATIONS

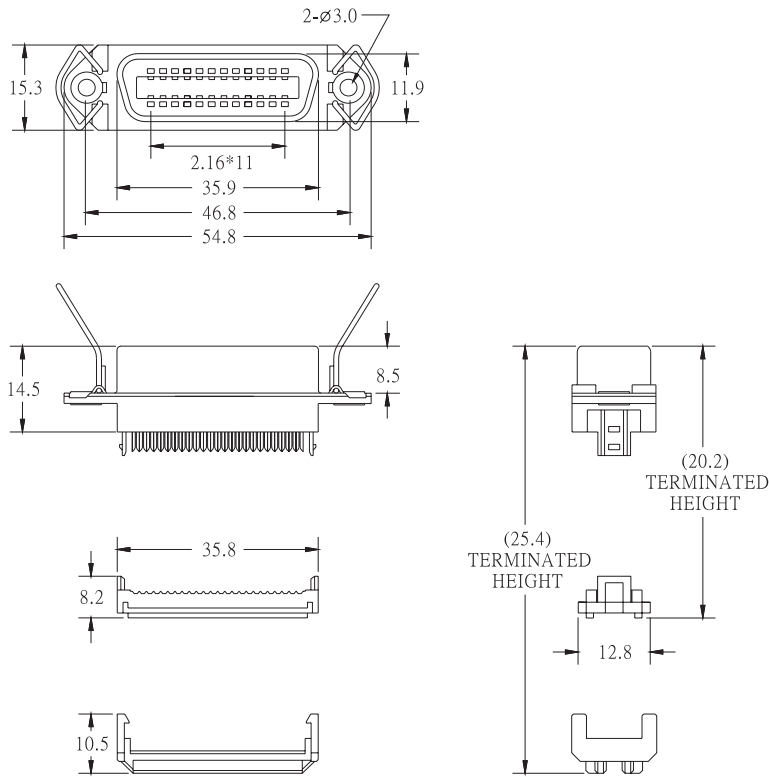
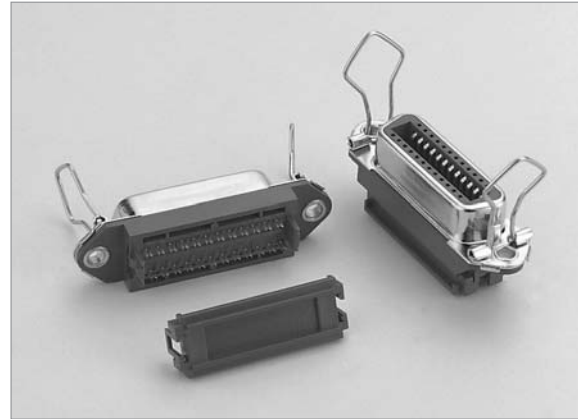
Material

Insulator : PBT, glass reinforced, rated UL 94V-0
Contact : Phosphor Bronze
Shell : Steel

Electrical

Current Rating : 1 Amp
Contact Resistance : 30 mΩ max.
Insulation Resistance : 3000 MΩ min.
Dielectric Withstanding Voltage : 500V AC for 1minute
Operating Temperature : -40°C to +105°C

- ◆ Terminated with 1.27mm pitch flat ribbon cable.
- ◆ Mating Suggestion : A18b, F02 & F03 series.



HOW TO ORDER:

A19b - - - - - - - - -

1.NO. OF CONTACT		2.CONTACT TYPE		3.CONTACT MATERIAL		4.CONTACT PLATING	
24		F: FEMALE		B: PHOSPHOR BRONZE		T: TIN PLATED S: SELECTIVE G: GOLD FLASH A: 5u" INCH GOLD B: 10u" INCH GOLD C: 15u" INCH GOLD D: 30u" INCH GOLD	
5.SHELL	6. MOUNTING METHOD	7. ACCESSORIES		8.INSULATOR COLOR			
B: METAL	A: THROUGH HOLE B: THREAD INSERT 4-40 UNC C: THREAD INSERT M3	A: W STRAIN RELIEF W LATCH B: W/O STRAIN RELIEF W LATCH C: W STRAIN RELIEF W/O LATCH D: W/O STRAIN RELIEF W/O LATCH		1. BLACK 2. GREY 3. BLUE			