

A17

BOX HEADER IDC TYPE

PITCH: 2.54mm

SPECIFICATIONS

Material

Insulator : PBT, glass reinforced, rated UL 94V-0

Contact : Brass

Electrical

Current Rating : 1 Amp

Contact Resistance : 30 mΩ max.

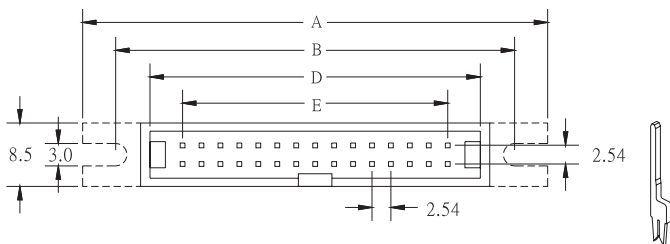
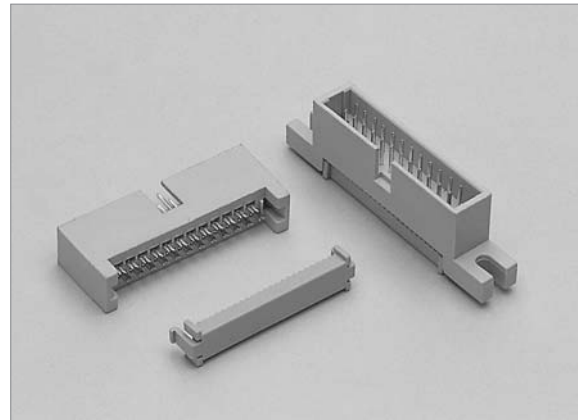
Insulation Resistance : 3000 MΩ min.

Dielectric Withstanding Voltage : 500V AC for 1minute

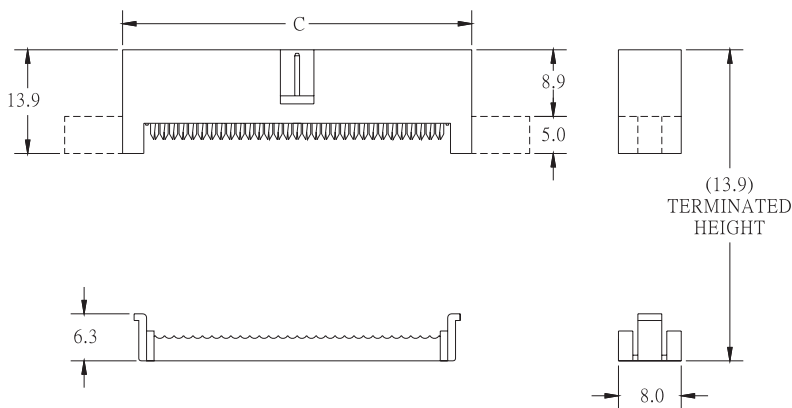
Operating Temperature : -40°C to +105°C

◆ Terminated with 1.27mm pitch flat ribbon cable.

◆ Mating Suggestion : A01, A01a, A03 & A35 series.



POSITION	A	B	C	D	E
10	36.96	28.60	21.42	18.30	10.16
14	42.04	33.68	26.50	23.38	15.24
16	44.58	36.22	29.04	25.92	17.78
20	49.66	41.30	34.12	31.00	22.86
24	54.74	46.38	39.20	36.08	27.94
26	57.28	48.92	41.74	38.62	30.48
30	62.36	54.00	46.82	43.70	35.56
34	67.44	59.08	51.90	48.78	40.64
40	75.06	66.70	59.52	56.40	48.26
50	87.76	79.40	72.22	69.10	60.96
60	100.46	92.10	84.92	81.80	73.66
64	105.54	97.18	90.00	86.88	78.74



HOW TO ORDER:

A17 - - - - -

1.NO. OF CONTACT	2.CONTACT MATERIAL	3.CONTACT PLATING	4.SPECIAL FUNCTION	5.INSULATOR COLOR
10 14 16 20 24 26 30 34 40 50 60 64	A: BRASS	T: TIN PLATED S: SELECTIVE G: GOLD FLASH A: 5u" INCH GOLD B: 10u" INCH GOLD C: 15u" INCH GOLD D: 30u" INCH GOLD	A: W EAR B: W/O EAR	2. GREY